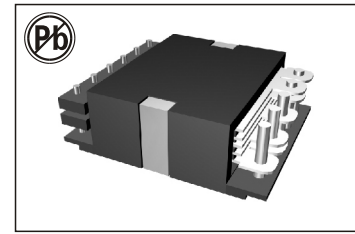


HIGH FREQUENCY 150W PLANAR TRANSFORMERS

WE 25D SERIES



FEATURES:

- Power Rating Up to 150 Watts
- High Efficiency of Over 98%
- High Power Density of 600 Watts Per Cubic Inch
- Footprint 23.5 mm x 20.10 mm
- Lower Profile of 9.12 mm
- High Isolation (operational) 1500 Vdc
- High Frequency 200 kHz–700 kHz
- Operating Temperature –40°C to +125°C

OPTIONS:

- Weight: 11.60 grams
- Tape & Reel: 200/reel
- Tube: 18/tube

COMMON APPLICATIONS:

- High performance DC/DC converters.
- High efficiencies up to over 98 percent, high power density of 600 watts per cubic inch DC/DC converters.
- For forward, full-bridge, half-bridge and push-pull DC/DC converters.
- Input voltages between 18V and 75V, and output voltages from 52V down to 1.0V DC/DC converters.
- Telecommunications, industrial control systems,
- Automotive and heavy equipment vehicle systems

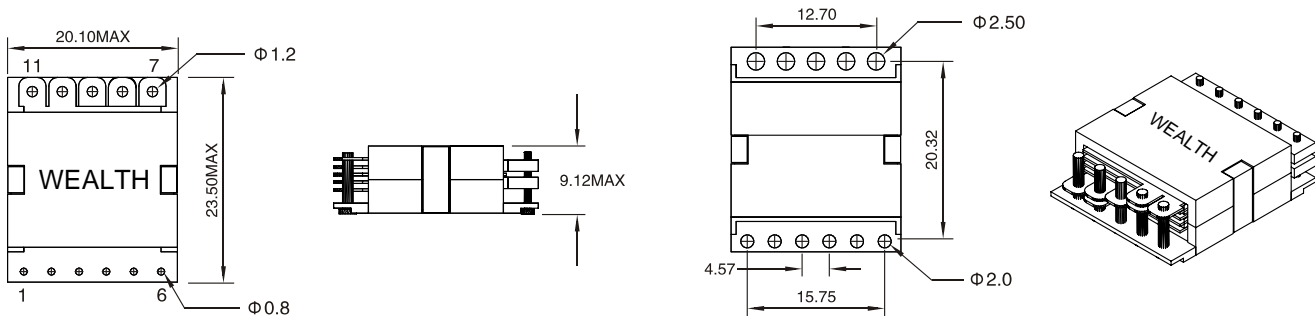
ELECTRICAL CHARACTERISTICS:

Part Number	Primary Inductance (uH Min)	Leakage Inductance (uH Max)	DC Resistance (mΩ Max)				Turns Ratio		Primary Second Hi-Pot	Figure	M. Height
			Primary			Secondary	Primary (A/B)	Secondary			
			A	B	AUX.						
WE25D0802	161.0	0.43	18.0	18.0	N/A	0.85&0.85	4T/4T	1T&1T	1500VDC	A	9.12mm
WE25D0902	204.0	0.43	18.0	20.0	N/A		4T/5T	1T&1T	1500VDC	A	9.12mm
WE25D1002	252.0	0.48	20.0	20.0	N/A		5T/5T	1T&1T	1500VDC	A	9.12mm
WE25D1102	304.0	0.55	20.0	25.0	N/A		5T/6T	1T&1T	1500VDC	A	9.12mm
WE25D1202	362.0	0.60	25.0	25.0	N/A		6T/6T	1T&1T	1500VDC	A	9.12mm
WE25D0803	161.0	0.43	18.0	18.0	N/A	1.70&1.70	4T/4T	2T&1T	1500VDC	B	9.12mm
WE25D0903	204.0	0.43	18.0	20.0	N/A		4T/5T	2T&1T	1500VDC	B	9.12mm
WE25D1003	252.0	0.48	20.0	20.0	N/A		5T/5T	2T&1T	1500VDC	B	9.12mm
WE25D1103	304.0	0.55	20.0	25.0	N/A		5T/6T	2T&1T	1500VDC	B	9.12mm
WE25D1203	362.0	0.60	25.0	25.0	N/A		6T/6T	2T&1T	1500VDC	B	9.12mm
WE25D0804	161.0	0.43	18.0	18.0	N/A	7.00	4T/4T	(1T:1T:1T:1T) 4T	1500VDC	C	9.12mm
WE25D0904	204.0	0.43	18.0	20.0	N/A		4T/5T		1500VDC	C	9.12mm
WE25D1004	252.0	0.48	20.0	20.0	N/A		5T/5T		1500VDC	C	9.12mm
WE25D1104	304.0	0.55	20.0	25.0	N/A		5T/6T		1500VDC	C	9.12mm
WE25D1204	362.0	0.60	25.0	25.0	N/A		6T/6T		1500VDC	C	9.12mm

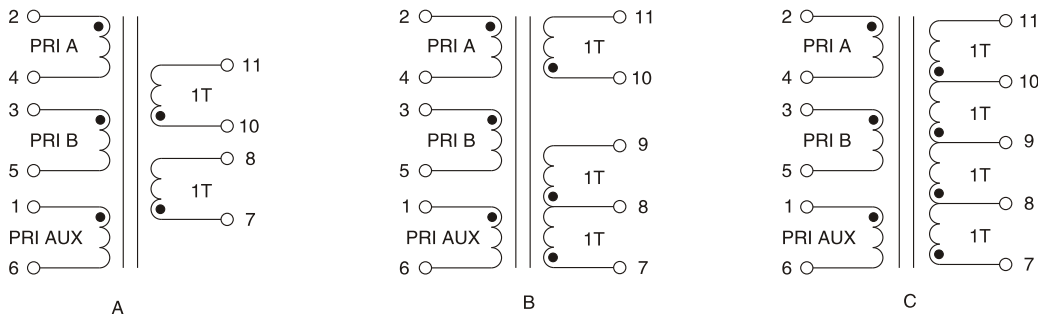
TECHNICAL INFORMATION

1. The inductance is measured with both primary windings connected in series Pin(2–5) with Pin(3–4) shorted.
2. The leakage inductance is measured in winding Pin(2–4) with all other winding shorted.
3. All specifications typical at TA=25°C.

PHYSICAL CHARACTERISTICS



SUGGESTED PAD LAY-OUT



SCHMATIC

Note: All specifications subject to change without notice.